

# FY-775 Bathcock • Spec Sheet

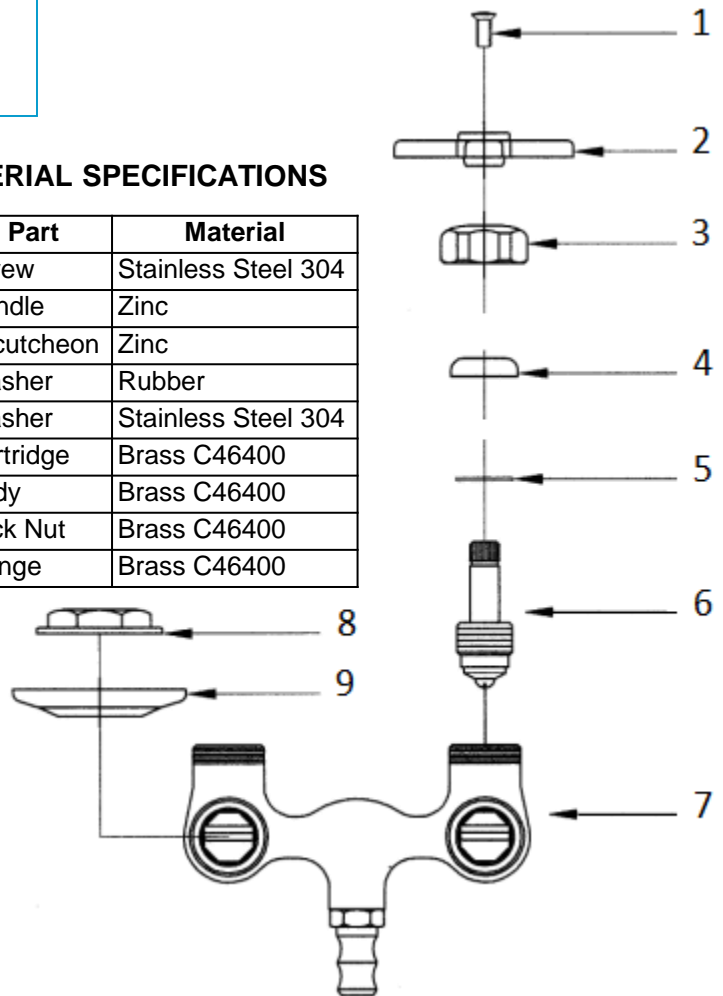
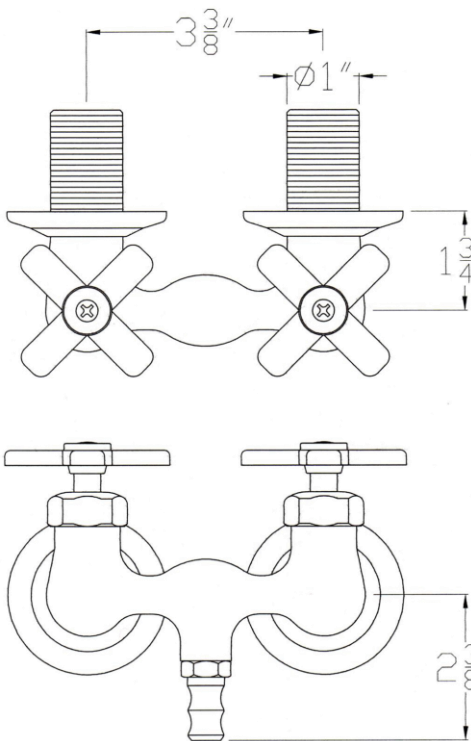


## FEATURES & BENEFITS

- Bathcock For Claw Foot Tub
- 3-3/8"
- Brass #3 Bathcock
- Chrome

## MATERIAL SPECIFICATIONS

No.	Part	Material
1	Screw	Stainless Steel 304
2	Handle	Zinc
3	Escutcheon	Zinc
4	Washer	Rubber
5	Washer	Stainless Steel 304
6	Cartridge	Brass C46400
7	Body	Brass C46400
8	Lock Nut	Brass C46400
9	Flange	Brass C46400



**MATCO-NORCA**

Global sourcing. National compliance. Local service.

**CALIFORNIA** 5593 Fresca Dr., La Palma CA 90623 • Toll Free: 866-532-8306 • Fax: 866-532-8307  
**TEXAS** 1150 Silber Rd., Houston TX 77055 • Toll Free: 800-935-5456 • Fax: 713-680-2999  
**NEW YORK** PO Box 27, Rt. 22, Brewster NY 10509 • Toll Free: 800-431-2082 • Fax: 845-278-9056  
 WEB: [www.matco-norca.com](http://www.matco-norca.com) EMAIL: [mail@matco-norca.com](mailto:mail@matco-norca.com)